

## Globe valve bronze straight model screwed / secured bonnet / stop type

**Bronze**  
**Bronze trim**  
**Stop type**

### Technical features

Design	Special design, short pattern, STOP type
Face to face	Acc. to below mentioned dimension table



Bronze MXT globe valves with bronze disc and seat, pressure rating PN 16, straight pattern, flat faced flanges acc. to DIN PN 16, screwed and secured bonnet, inside screwed stem and rising handwheel. Primary application area is aboard ships where a light bronze construction is desirable.

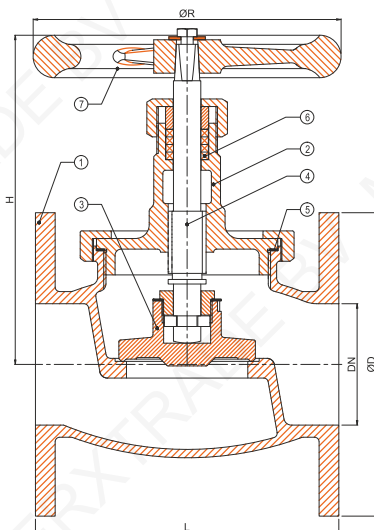
Application: Sea water, water and low pressure steam.

### Pressure & temperature ranges

Bore	Pressure rating	Working pressure [bar]		Hydro test pressure [bar]	
		120 °C	Casing	Closure	
DN 15 - DN 100	PN16	16	24		17.6

### Material specifications

Part No.	Component	Material			
1	Body	CuSn5Zn5Pb5-C	CC491K	RG5	
2	Bonnet	CuSn5Zn5Pb5-C	CC491K	RG5	
3	Disc	CuSn5Zn5Pb5-C	CC491K	RG5	
4	Stem	CuZn35Ni3Mn2AlPb	CW710R	Som59	
5	Bonnet gasket	PTFE	PTFE	PTFE	
6	Gland packing	Graphite	Graphite	Graphite	
7	Handwheel	EN-GJL250	EN-JL1040	GG25	



### Dimensions

DN [mm]	Flange Connection	ØD [mm]	L [mm]	H <sub>(open)</sub> [mm]	ØR [mm]	Weight [kg]
15	PN16	95	70	102	63	1.5
20	PN16	105	80	117	80	2.3
25	PN16	115	90	124	80	3.0
32	PN16	140	105	130	90	5.0
40	PN16	150	120	147	100	6.5
50	PN16	165	140	172	125	8.0
65	PN16	185	180	230	160	13
80	PN16	200	200	250	200	17
100	PN16	220	230	250	200	21